




ARITCO
MADE IN SWEDEN

Home Lift Product catalogue



- Swedish state-of-the-art and eco-friendly design.
- Exotic feature in home for your superior lifestyle.
- Rewarding convenience and comfort for your beloved ones.
- Various options and platform sizes to fulfill your requirements.
- Compliance with European Safety standards and regulations.
- Best of all, it will take 2-3 days to install Aritco Lift in your home.

Aritco 4000 - the world's smallest home lift

Aritco 4000 is the smallest and most compact home lift in our product range and on the market. The lift has been designed to meet all requirements for comfort, space and design. The lift is available in several different sizes, with an option to personalize it with details such as glass walls, a range of varied colours and different materials.



Aritco 4000	
Technical compliance:	European Machine directive 2006/42/EC European standard EN 81-41
Drive system:	Patented screw/nut system
Rated speed (max):	0,15m/s
Travel height:	250 -13 000 mm
Number of stops:	Max. 6 stops per lift
Number of doors:	Max. 6 doors per lift
Number of doors per floor:	Max. 2 doors per floor
Pit:	50 mm (no pit is required when there is a threshold/ramp)
Top height:	Always 2 300 mm
Platform control:	Auto run
Landing control (on door):	One-touch call
Environment:	Indoor
Emergency lowering:	Battery operated emergency lowering
Control voltage:	24V
Motor:	1,5kW
Power supply:	1-phase 230V 50Hz/6.6A/16A slow
Rated load:	250 kg

Platform

Aritco 4000 is available in 3 different platform sizes. The rated load is 250 kg and the power supply needed is 230 V 1-phase.

Platformsize B –side x A/C-side (mm)	Max load (kg)	Power supply
805 x 580	250	230 V 1-phase
805 x 880	250	230 V 1-phase
805 x 1080	250	230 V 1-phase

Aritco 6000 - the most versatile homelift

Aritco 6000 is our most versatile home lift with various options for own personalization and design. Choose among several different sizes, glass walls, colours or stainless steel. This is the choice for those of you who would like to customize the lift to your own liking.



Aritco 6000	
Technical compliance:	European Machine directive 2006/42/EC European standard EN 81-41
Drive system:	Patented screw/nut system
Rated speed (max):	0,15m/s
Travel height:	250 -13 000 ¹⁾ mm ¹⁾ Travel height when having a half door is maximum 3 000 mm
Number of stops:	Max. 6 stops per lift
Number of doors:	Max. 6 doors per lift
Number of doors per floor:	Max. 2 doors per floor
Pit:	50 mm (no pit is required when there is a threshold/ramp)
Top height:	Minimum 2240 mm (1100-1600 mm with half height door)
Platform control:	Auto run
Landing control (on door):	One-touch call
Environment:	Indoor
Emergency lowering:	Battery operated emergency lowering (manual lowering with a winch as option)
Control voltage:	24V
Motor:	2,2kW
Power supply:	1-phase 230V 50 Hz/9 A/16 A slow 3-phase 230V 50 Hz/9 A/16 A slow 3-phase 400V 50 Hz/5.2 A/16 A slow
Rated load:	250, 410 or 500 kg (depending on platform size)

Platform

Aritco 6000 is available in 8 different platform sizes. The rated load depends on the platform size

Load limits per power supply	400V 3-phase 50Hz	400V 3-phase 60Hz	230V 3-phase 50Hz	230V 3-phase 60Hz	230V 1-phase 50/60 Hz
250 kg	✓	✓	✓	✓	✓
410 kg	✓	✓	✓	✓	✓

Platform floor area A/C x B (mm)	Max load (kg)
900 x 1040	250
900 x 1280	410
900 x 1480	410
1000 x 1280	410
1000 x 1480	410
1100 x 1480	410



Aritco 7000 - our bestselling platform lift

The lift is designed to meet all requirements for quality, safety and service life. It is a perfect fit for tough and demanding environments such as schools, shops and residential buildings.

Aritco 7000	
Technical compliance:	European Machine directive 2006/42/EC European standard EN 81-41
Lift type:	Platform lift
Drive system:	Patented screw/nut system
Rated speed (max):	0,15m/s
Travel height:	250 -13 000 ¹⁾ mm ¹⁾ Travel height when having a half door is maximum 3 000 mm (inside EU)
Number of stops:	Max. 6 stops per lift
Number of doors:	Max. 6 doors per lift
Number of doors per floor:	Max. 2 doors per floor
Pit:	50 mm (no pit is required when there is a ramp)
Entry:	One, two or three sides
Top height:	Minimum 2240 mm (1100-1600 mm with half height door)
Platform control:	Auto run
Landing control (on door):	One-touch call
Environment:	Indoor / outdoor
Emergency lowering:	Battery operated emergency lowering (manual lowering with a winch as option)
Control voltage:	24V
Motor:	2,2kW
Power supply:	1-phase 230V 50 Hz/9 A/16 A slow 3-phase 230V 50 Hz/9 A/16 A slow 3-phase 400V 50 Hz/5.2 A/16 A slow
Rated load:	250, 410 or 500 kg (depending on platform size)

Platform

Aritco 7000 is available in 8 different platform sizes. The rated load depends on the platform size.

Load limits per power supply	400V 3-phase 50Hz	400V 3-phase 60Hz	230V 3-phase 50Hz	230V 3-phase 60Hz	230V 1-phase 50/60Hz
250 kg	✓	✓	✓	✓	✓
410 kg	✓	✓	✓	✓	✓
500 kg	✓	-	✓	-	-

Platform floor area A/C x B (mm)	Load (kg)
900 x 1040	250
900 x 1280	410
900 x 1480	410, 500
1000 x 1280	410
1000 x 1480	410, 500
1000 x 1980	500
1100 x 1480	410, 500
1100 x 1580	500



A,B,C and D-side of platform.

Full height wall

The platform is in its basic execution delivered with a side wall (full height) including the destination panel. It comes with LED lightening and a mirror covering the panel over the destination panel as standard. The panel under the destination panel and the small roof over the mirror is painted in RAL 7042 (grey) as standard, but can be painted in any RAL colour as an option.



Mirror

Mirror 800 x 970 mm is included as standard.



Foot box

As an option a special plate with a niche can be ordered for the bottom part of the platform. The niche adds a little bit of extra room at the bottom of the platform panel. Size of niche: Depth 80 mm, height: 197 mm, length: 456 mm



Living Style Faceplate panel Aritco 4000 - 6000

The faceplate panel in anodized aluminum (chemically polished) gives a soft finish to the platform. To prevent any trapping, a safety list is mounted behind the faceplate panel which cuts off the security circuit when pressed down.



A,B,C and D-side of platform.

Half height wall

The platform is in its basic execution delivered with a side wall (half height) including the destination panel. Panels under the control panel are painted in RAL 7042 (grey) as standard, but can be painted in any RAL colour as an option.

For lifts with an open shaft, half height doors or when cost must be kept down.

Height 1100 mm.

Mirror

Mirror that goes along the whole machine side and that has an integrated LED light. Included as standard for full height wall.



Full height wall

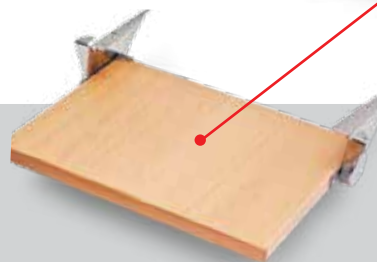
To get a conventional lift feeling the Aritco 6000 can be delivered with a full height wall (2100 mm high). The full height wall has a big mirror that goes along the whole machine side. This gives the lift a nice look, for the home market. The light in the full height wall is a LED light that is hidden behind the mirror. Panels under the destination panel are painted in RAL 7042 (grey) as standard, but can be painted in any RAL color as an option.

The full height wall is available for all platform sizes .

The full height wall can not be used when having a lift with half height door or doors with door opening height lower than 2000 mm.

The full height wall can be ordered as an option.

When ordering a full height wall for platform 900 x 1040 mm, the electrical cabinet must be external.



Fold down seat

In solid birch and with chromed brackets. The seat has to be folded back manually after use.

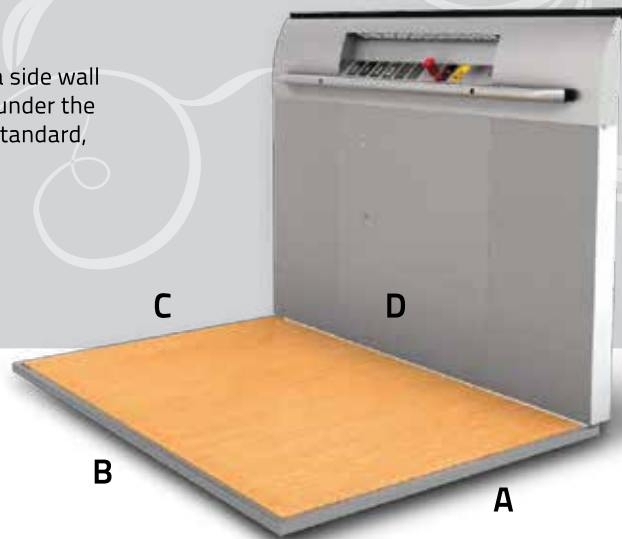
Can be ordered as an option.

Size: 320 x 400 mm.

Not available for 900 x 1040 mm.

Half height wall

The platform is in its basic execution delivered with a side wall (half height) including the destination panel. Panels under the destination panel are painted in RAL 7042 (grey) as standard, but can be painted in any RAL colour as an option. Height 1100 mm.



A,B,C and D-side of platform.



Full height wall

As an option the platform can be delivered with a full height wall (2100 mm high) with a mirror. The full height wall is in RAL 7042 (grey) as standard, but can be painted in any RAL colour as an option. The full height wall is available for D-side of 1480 mm, i.e for platform sizes 900x1480 mm, 1000x1480 mm and 1100x1480 mm.

Note also that full height wall is not possible if you have a lower door opening height than 2000 mm or having a half height door

Fold down seat

In solid birch and with chromed brackets. The seat has to be folded back manually after use. Can be ordered as an option. Size: 320 x 400 mm Not available for 900x1040.

Prime Style Faceplate panel Aritco 7000

The platform panel is always placed on the machine side (D-side) of the platform. It contains the destination buttons, emergency stop, alarm button, autodialer (option), landing indicator (option), company logo, max weight and number of persons allowed. All text and logos are screen printed to ensure good quality. On request a partner logo can be screen printed on the faceplate panel. The location of the platform buttons and the handrail are according to E81-41.

- Anodized aluminium - standard
- Stainless steel - option





Full height glass door



Double-hinged glass door



Half height door with glass

The doors are made of toughened galvanized steel and laminated and toughened glass which is 8 mm thick for the full height and half height glass door, and 17.5 mm thick for the Double-hinged glass door. The default door color is RAL 9003 (Aritco white), but any other RAL color can be selected as an option. The door frame and door blade can be painted in the same color or the frame in one color and the blade in another color. For the same lift all doors must be painted in the same colour. The standard glass for Aritco 6000 and 7000 is clear glass (JT0). The standard for Aritco 4000 is tinted glass (JT16). Four kinds of glass for your choices are clear glass (JT0), tinted glass (JT16), dark tinted (JT5) or frosted glass (JT23).

Door size measure (mm)	Door type			Aritco 4000		Aritco 6000 & 7000	
	Full-height	Double-hinged	Half-height	Available for A/C side (mm)	Available for B side (mm)	Available for A/C side (mm)	Available for B side (mm)
800x1100	-	-	6000/7000	-	-	900	1040
800x1101-1600 ¹⁾	-	-	6000/7000	-	-	900	1040
900x1100	-	-	6000/7000	-	-	1000/1100	1280/1480
800x1101-1600 ¹⁾	-	-	6000/7000	-	-	1000/1100	1280/1480
800x1800	4000/6000/7000	-	-	-	805	900	1040
800x1900	4000/6000/7000	-	-	-	805	900	1040
800x2000	4000/6000/7000	4000/6000	-	-	805	900	1040
800x2100	6000/7000	-	-	-	-	900	1040
900x1800	4000/6000/7000	-	-	1080	-	1000/1100	1280/1480/1580/1980
900x1900	4000/6000/7000	-	-	1080	-	1000/1100	1280/1480/1580/1980
900x2000	4000/6000/7000	4000/6000/7000	-	1080	-	1000/1100	1280/1480/1580/1980
900x2100	6000/7000	-	-	-	-	1000/1100	1280/1480/1580/1980
1000x2000	6000/7000	-	-	-	-	1100	1280/1480/1580/1980
1000x2100	6000/7000	-	-	-	-	1100	1280/1480/1580/1980

¹⁾ Custom height

Door opening width (mm)	Door opening height (mm)	Available for B-side (mm)	Available for A/C-side (mm)
800	1100 1101-1600 ¹⁾	1040	900
900	1100 1101-1600 ¹⁾	1280/1480	1000/1100

¹⁾ Custom height

A half height door can be used in the following cases:

- 1100 mm high half height door:
When you have an open shaft and a top height of 1100 mm (even shaft).
- 1101-1600 mm high half height door:
When you have a low travel height with a standard door on the bottom floor and a custom height half height door is needed to get an even shaft (see page 20 for details).
When you have a higher travel height, but a standard door on second top floor and a custom height half door is needed to get an even shaft.
- It is not possible to have a lower half height door than the top height of the shaft – this means that you can't have a 1100 mm height door on a lift with shaft height of for example 1400 mm.
- Note that it is not possible to have two half height doors on the same lift.

Door Handle



Aritco 4000 - 6000

Door and platform handle

The handle in anodized aluminum with a straight shape as standard. Available in stainless steel as an option. Note that the door handle on a door on B-side of an Aritco 4000 could hit the building wall if the lift is installed very close to the wall on A or C side. This is since the door on the B-side does not have a door frame.

Aritco 7000

Door and platform handle

The handle with a diameter of 30 mm is delivered as standard. The end of the handrail are closed and bended as curve.

- Anodized aluminum (standard)
- Stainless steel (option)

Flooring - Aritco 4000 and Aritco 6000

Flooring

Vinyl, rubber or simply no flooring at all. Choose between following options:

Standard:



Classic Walnut Vinyl



Oiled Oak Vinyl



European oak Vinyl



Mineral - Grey Vinyl



Option:



Checker - Grey Rubber



Checker - Black Rubber



Checker - Red Rubber



Checker Stud - Black Rubber



Checker Stud - Grey Rubber

The platform is prepared for other types of floors with maximum tickness of 3 mm without any modifications.

Flooring - Aritco 7000

Flooring

Choose between the following options for vinyl, rubber and aluminum floorings:

Standard:



Beige Vinyl



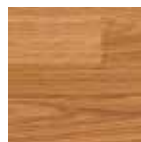
Blue Vinyl



Sand Vinyl



Grey Vinyl



European oak Vinyl



Classic Beech Vinyl

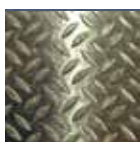
Option:



Checker Stud - Blue Rubber



Checker Stud - Black Rubber



Aluminum*



*Aluminum flooring is not available for Aritco 7000 platform 900x1040 mm



Remote control for operation of platform

A remote control is connected to the destination buttons on the platform. Instead of pressing the destination button on the platform the button on the remote control can be pressed (hold to run). Remote control with 2 to 6 buttons, with numbers 2-6. One remote control per lift. One receiver per two floors. Can be ordered as an option.

Door faceplate

The door faceplate can be placed directly on the door frame or externally in an external call station box. The door faceplate is painted in the same colour as the door frame. Standard colour is RAL 9003 (Aritco white), if the door frame is painted in another colour the faceplate will be painted in the same colour.

- The door faceplate can hold:
- Call button
 - Key switch Telemecanique
 - Key switch prepared for Assa

Numeric Key Lock

The numeric key lock can be used to add simple security without a key. The numeric code can be programmed from 4 digits to 10 digits and can be re-coded anytime. It can be ordered as options by replacing the call buttons or the destination buttons.

Internal door closer

Closes the door automatically after a preset time. It is built into the door frame and is invisible from the outside. Includes function to keep door open until the user manually closes the door. Standard for all doors except large glass doors with 50 mm frametop.

Internal door opener

Opens and closes the door automatically. It is built into the door frame and can't be seen from the outside. Can be ordered as option. Standard for double hinged glass doors.

Threshold and ramp

For all lifts without a pit a door threshold in oak is delivered with the lift. A ramp can be delivered together with the door threshold for easier access to the lift. The ramp is made of galvanized steel, painted in RAL 9003 (Aritco white) as standard. If the shaft is painted in another RAL colour the ramp will be painted in the same colour. Can be ordered as an option.

It is also possible to order the threshold plates in corrugated aluminum instead of oak. In this case a ramp in galvanized steel covered with corrugated aluminum can be ordered as an option for lifts without a pit. A threshold will not be delivered in this case

Arrival gong

The arrival gong gives an audible signal (ding dong) when the platform arrives at each landing. It is placed in the door frame on each landing. Can be ordered as an option.

Phone

The telephone works as a standard telephone but is intended for emergency calls. The phone is mounted on the platform panel. Equipped with redial memory, mute button and a lamp indicator for on/off. Can be equipped with a GSM module. Aritco does not supply SIM card.



Landing indicator on door

Digital display positioned at the door frame. It shows which floor the lift is on at the moment. The landing indicator can also show following system information:

- Warning if the lift batteries are low.
- A bell when the alarm button has been pressed.
- Number of starts and total run time since installation or since last reset.
- A weight symbol will appear if the lift is overloaded.
- If connected to the buildings fire alarm a "Fire" symbol will be shown when alarm is activated.



External service panel

A service panel is always placed in the electrical cabinet. It is used to run tests etc., and for emergency running the lift. An external service panel is available for mounting outside the lift as an option. In this case a wire connects it with the service panel in the electrical cabinet. For Aritco 6000 platform size 900 x 1040 and for all platform sizes for Aritco 4000 the electrical cabinet and the standard service panel is mounted in the top part of the shaft and can't be reached from outside. Therefore it is connected to an external service panel (wall mount) which is mounted in a faceplate box. The external service panel must be activated with a 3 edge key before it can be used. Size: 95 x 185 mm



Power supply

For Aritco 6000 you have the following options:

- 3-phase 400V 50 Hz/5.2 A/16 A slow
 - Standard for all lifts
 - For 250, 410 and 500 kg
- 1-phase 230V 50 Hz/9 A/16 A slow
 - Option when building don't support 400V 3-phase
 - Frequency converter with built in soft start and stop
 - For 250 and 410 kg
- 3-phase 230V 50 Hz/9 A/16 A slow
 - Option
 - Note that this is rarely used except for example in Norway
 - For 250, 410 and 500 kg

For Aritco 4000 the following is valid:

- 1-phase 230 V/50Hz/6.6A/16A slow
 - Frequency converter with built in soft start and stop
 - For 250 kg



Automatic Lubrication

Oils the driving screw at regulated time intervals even if the lift is not in use. The lubrication frequency is adjustable. Standard for Aritco 4000. Option for Aritco 6000. Standard for lifts with a travel height of over 8000 mm. Recommended for lifts that are seldom used or that are not used regularly to travel from ground to top floor.



Battery operated emergency lowering

All Aritco lifts have battery operated emergency lowering as standard. You can lower yourself from inside the lift and get out by yourself when there is a power failure. Possible to run the lift to nearest level from the platform (possible to go down) - Executed when pressing a destination button. Can also be run externally from the call button (hold to run) or service box. Mandatory if the position of the electrical cabinet is on an alternate landing than the top floor. Battery operated emergency lowering is mandatory for platform size 900x1040 mm since the electrical cabinet is mounted behind the platform panel and in top of the shaft and therefore can't be reached from outside.



Fold down seat for Aritco 6000 - 7000

In solid birch and with chromed brackets. The seat has to be folded back manually after use. Can be ordered as an option. Size: 320 x 400 mm



Foot box for Aritco 4000

As an option a special plate with a niche can be ordered for the bottom part of the platform. The niche adds a little bit of extra room at the bottom of the platform panel.

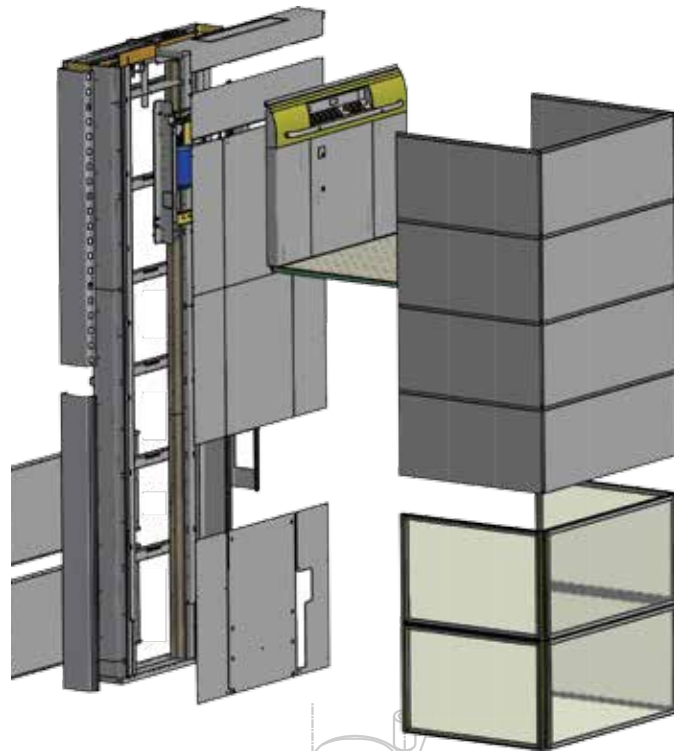
Size:
Depth 80 mm,
height: 197 mm,
length: 456 mm.



Aritco 4000

Shaft Aritco 4000

The lift is always delivered with a self supporting shaft. The top height of the shaft (distance from top floor to top of shaft) is always 2300 mm. If the lift isn't installed against a wall, machine side cladding can be added on the outside of the lift on the machine side. For all sides except for machine side you can choose to have shaft panels in steel or glass.



Aritco 6000 - 7000

Shaft Aritco 6000 - 7000

The lift is always delivered with a self supporting shaft. The lift always comes with cladding panels on the inside of the shaft on the machine side. If the lift is not installed against a wall, machine side cladding can be added on the outside of the lift to cover the machine side. For all sides except for the machine side you can choose to have shaft panels in steel or glass. The top height of the shaft for Aritco 6000 is not fixed. When having a standard door on the top floor, the minimum top height depends on the door opening height and the frame height. For a door opening height of 2000 mm the standard frame height is 2 240 mm, which is the lowest top height. Higher top height can be ordered.

Screw & Drive System



All of Aritco lifts can be painted in any RAL colour.

Following choices are available:

Whole lift painted in standard colour RAL 9003 (Aritco white);

- Whole lift painted in RAL 9003 except for the platform panels which are painted in RAL 7042 (Grey).

Whole lift painted in other RAL colour:

- Whole lift painted in optional RAL colour (Incl. shaft, doors and platform panels.)

Lift partially painted in different RAL colours:

- Shaft in one RAL colour (Incl. shaft panels, corner profiles, Architraves, etc.)
- All door blades in one RAL colour.
- All door frames in one RAL colour (Also includes the door faceplate.)
- Platform panels in one RAL colour.
- One of the above choices or a combination of them.

New RAL Colour (Jotun Facade Sahara)

RAL 1015	RAL 3020	RAL 5002	RAL 7012	RAL 7016	RAL 7045
RAL 7047	RAL 8017	RAL 9006	RAL 9007	RAL 9010	RAL 9016

Screw and Drive nut

Roll pressed steel – guarantees the quality

The nut is turning – not the screw

Safety: 8 times the maximum load.

Self locking concept.

No additional motor brake is necessary.

Vibration reduction due to a patented nut design.

If maintained correctly, no oil waste due to our lubrication system 40 mm screw

What kind of wheelchair can be fitted in the lift?

Both Aritco 7000 follows the requirements stated for lifts regarding the possibility to fit a wheelchair with or without attendant. Depending on the size of the platform / cabin you can fit either a wheelchair or a wheelchair with an attendant:

Type A and B wheelchairs are defined in :EN 12183 Manual wheelchairs – requirements and test methods EN 12184 Electrically powered wheelchairs, scooters and their charges – Requirements and test methods

Dimensions of wheelchair	Class A	Class B
Total length	1200	1400
Total width	700	700

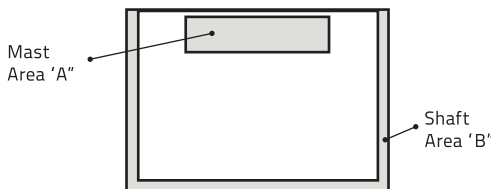
Aritco 6000 - 7000	
Platform size	
900x1040	-
900x1280	Lone user, or type A wheelchair
900x1480	Type A and B wheelchair with attendant
1000x1280	Lone user, or type A wheelchair
1000x1480	Type A and B wheelchair with attendant
1000x1980	Type A and B wheelchair with attendant
1100x1480	Type A and B wheelchair with attendant and adjacent entries
1100x1580	Type A and B wheelchair with attendant and adjacent entries

What are the reaction forces on the building and force on fixings to support frame to wall?

Details regarding the forces are available in the installation manual for Aritco 7000

Reaction forces from the lift to the building:

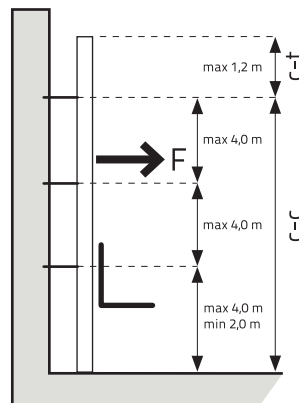
- Maximum force as a function of the lift's travel. The force is distributed to the floor through the mast bottom with the area "A" and to the shaft bottom with the area "B".



Travel height (m)	Aritco 6000 - 7000			Aritco 4000
	Area 'A' F(kN)	Area 'B' Shaft panels F(kN)	Area 'B' Glas Shaft F(kN)	F(kN)
1	7,8	2,55	3,30	3.9
2	8,5	3,40	4,40	4.1
3	9,2	4,25	5,50	4.2
4	9,9	5,10	6,60	4.3
5	10,7	5,95	7,70	4.4
6	11,5	6,80	8,80	4.5
7	12,0	7,65	9,90	4.7
8	12,8	8,50	11,00	4.8
9	13,4	9,35	12,10	5.0
10	14,2	10,20	13,20	5.2
11	14,9	11,05	14,30	5.3
12	15,6	11,90	15,40	5.5

Force on fixing to support frame (mast) to wall:

- c - c = distance (height) from the floor to the highest fixing into the wall.
- The maximum distance between two fixings or lower floor and the lowest fixing is 4,0m.
- The minimum distance between lower floor and the highest fixing is 2,0 m.
- c - t = distance from the top of the mast to the highest fixing into the wall.
- The maximum distance between the top of the mast and highest fixing is 1,2 m



c - c (m)	Aritco 6000 - 7000		Aritco 4000
	F(kN) 410 kg load	F(kN) 500 kg load	F(kN) 225 kg load
2	1.5	2.2	0.84
3	1.0	1.5	0.56
4	0.8	1.1	0.42
5	0.6	0.9	0.34
6	0.5	0.7	0.28
7	0.4	0.6	0.24
8	0.5	0.5	0.21
9	0.3	0.5	0.19
10	0.3	0.4	0.17

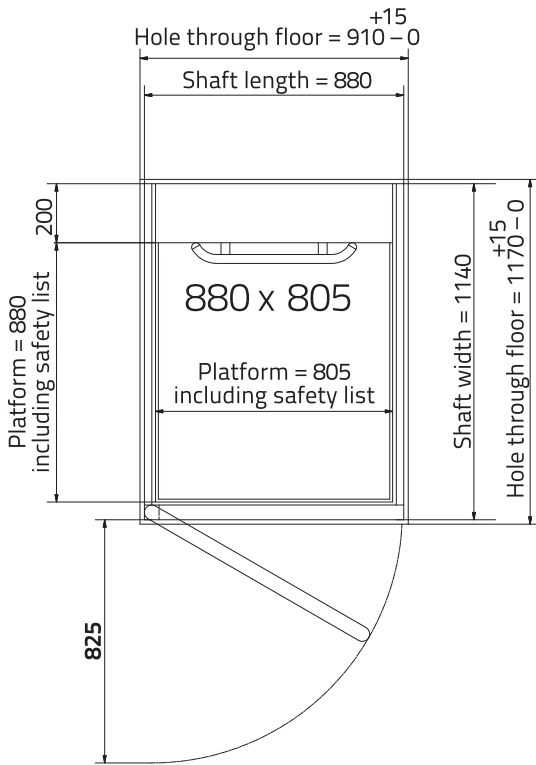
Reference Pictures - Outdoor



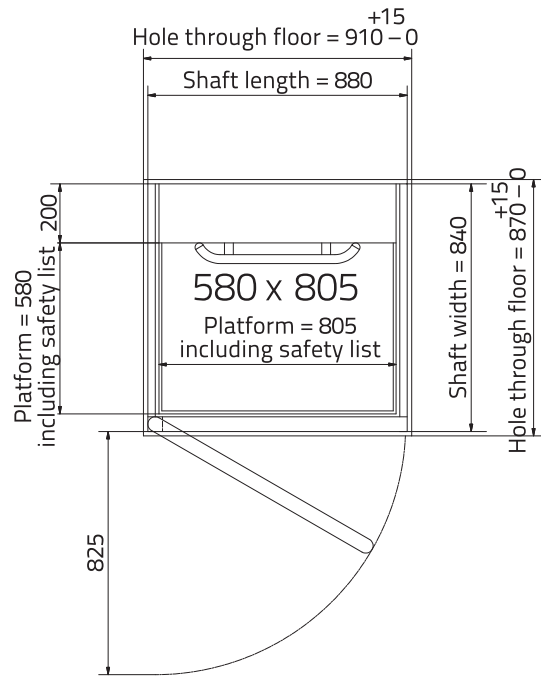
Reference Pictures - Indoor



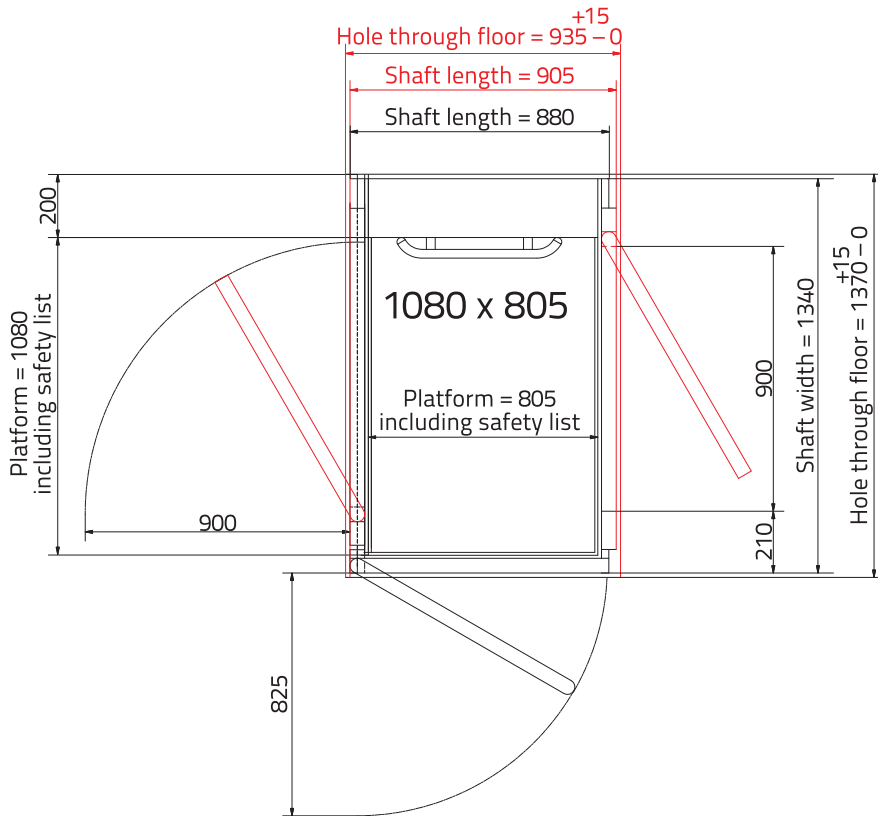
Platform 880 x 805



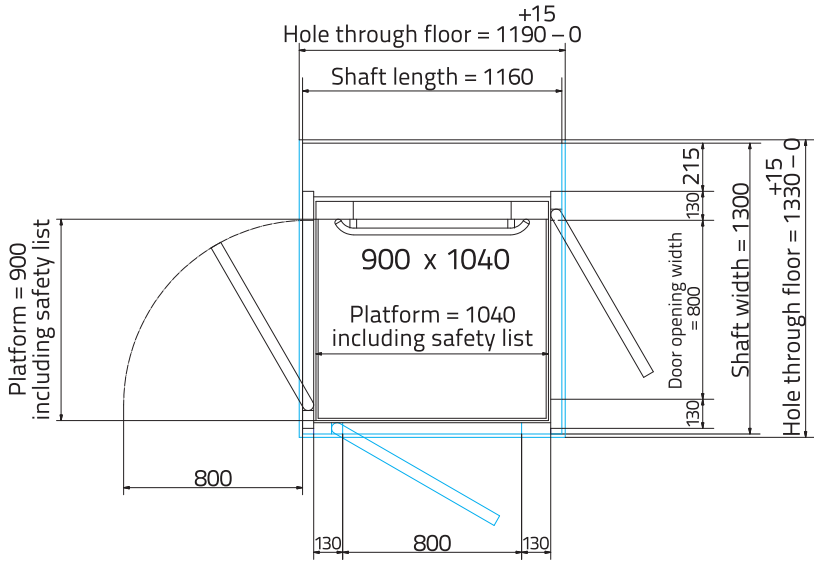
Platform 580 x 805



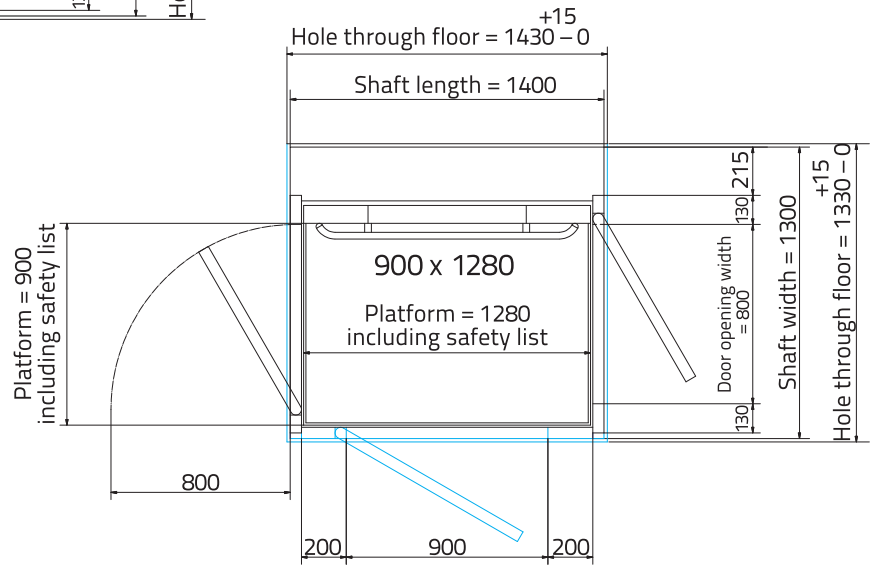
Platform 1080 x 805



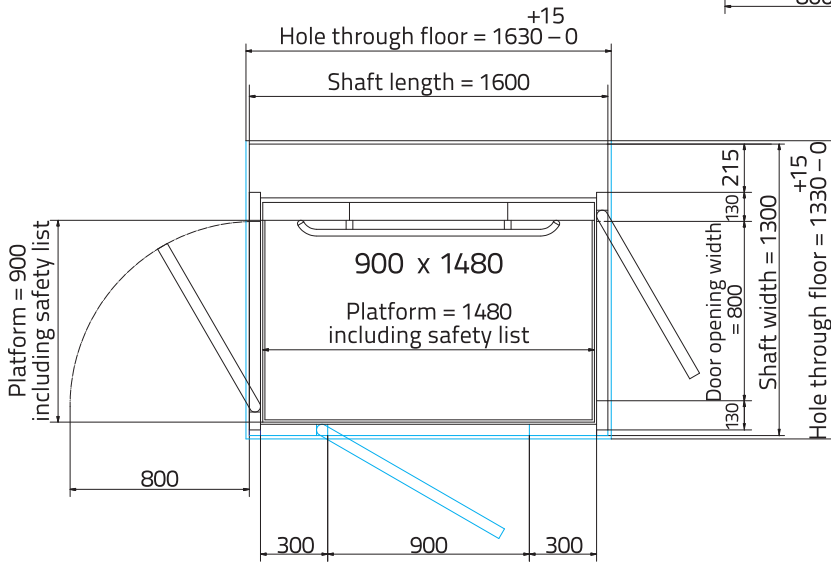
Platform 900 x 1040



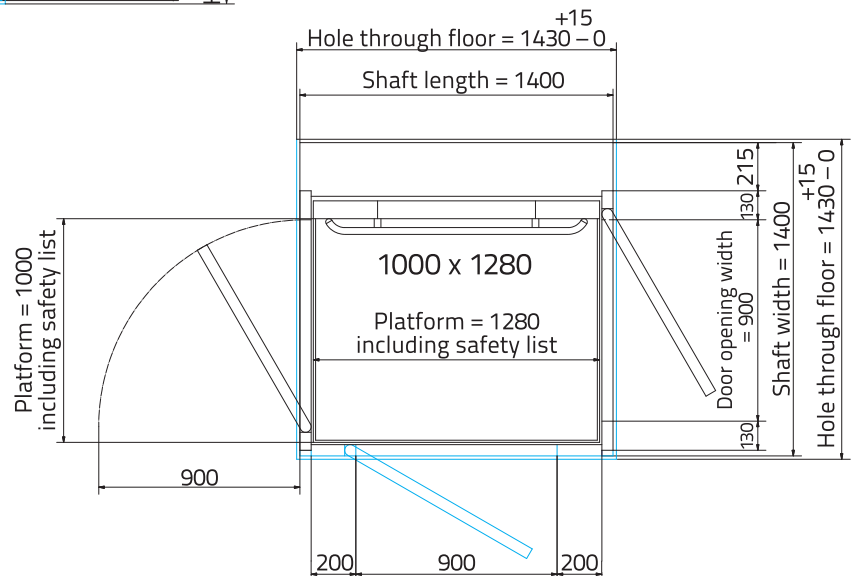
Platform 900 x 1280



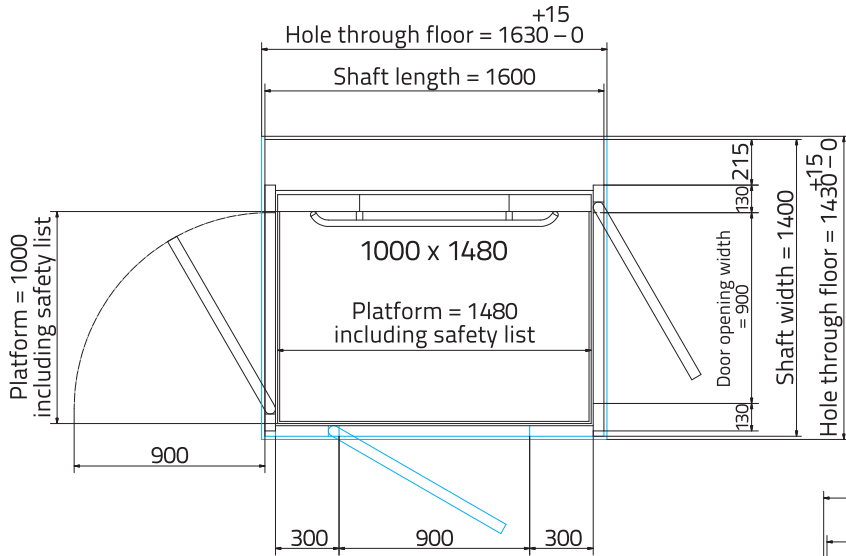
Platform 900 x 1480



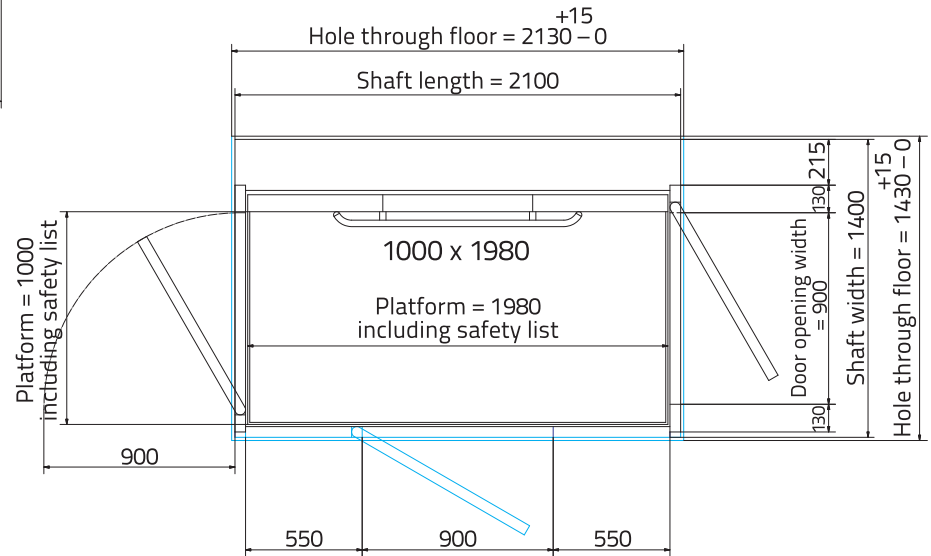
Platform 1000 x 1280



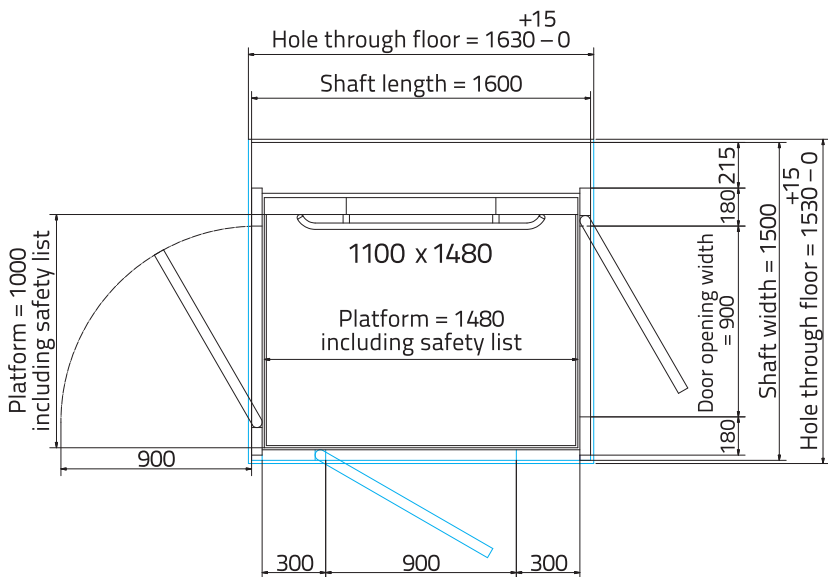
Platform 1000 x 1480



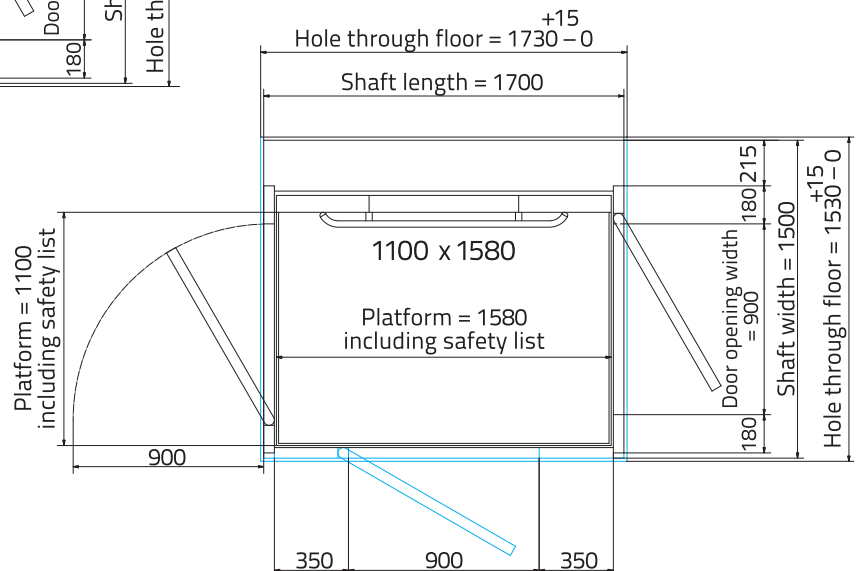
Platform 1000 x 1980

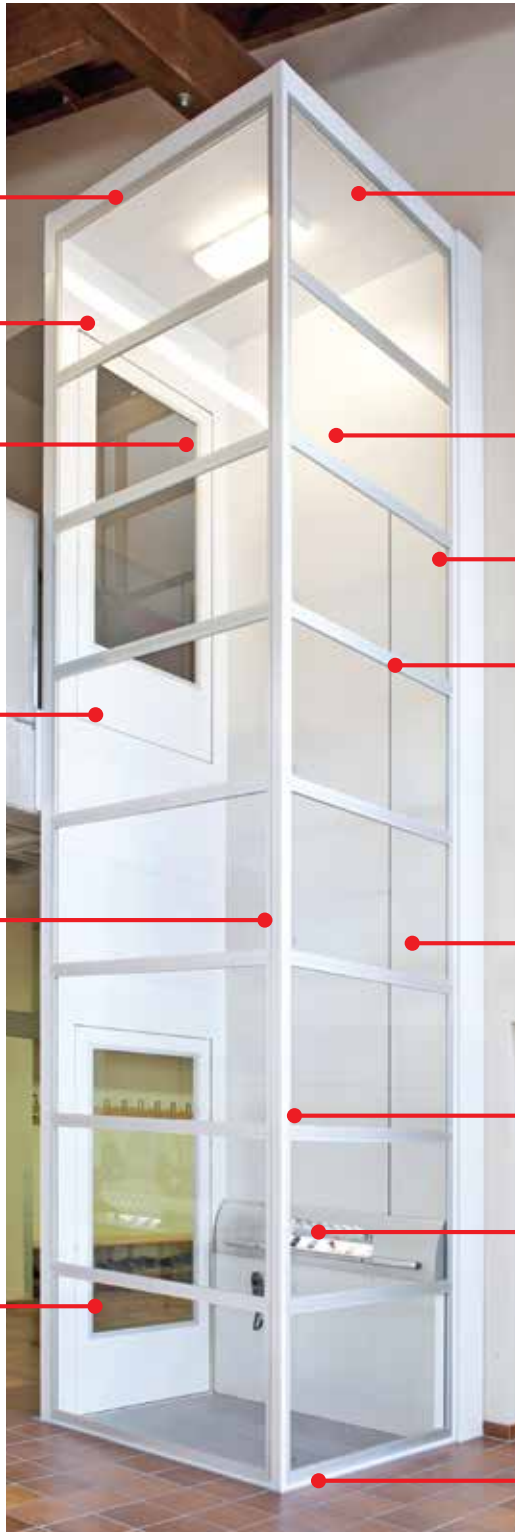


Platform 1100 x 1480



Platform 1100 x 1580





Up to 13 m travel height with maximum of 6 stops

Most efficient space utilization

Choices of panoramic glass or solid shaft panel on three sides

Compliance with European safety standards and regulations

Patented screw drive system to ensure owner's safety and comfort.

Simple, compact and easy to install (less than 1 week) anywhere - indoor/outdoor

Require little or no modification to existing building

Up to 11 available platform sizes

Only 21.5cm thick mechanical shaft

Only 1500 watts to operate the lift, 10 watts when standby

Built-in back up electrical and mechanical lowering systems in case of power failure

No separate machine room or special built structure needed

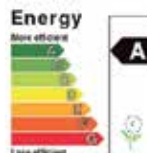
Built-in 5 emergency stops system to ensure extra safety.

No extra head room or pit required



Environmental Product Declaration

- We are the first lift manufacturer with an Environmental Product Declaration
- More than 95% of the parts are recyclable.



Low energy consumption

- Minimum stand-by power consumption 15 W – not more than a computer or a TV.
- Energy class A as per VDI 4707.



Aritco is a world-leading manufacturer of platform lifts and home lifts. It has more than 25 000 lifts installed in more than 40 countries worldwide. Aritco sells its lifts through Aritco Certified Partners, experts in installing and maintaining Aritco lifts.
Read more at www.aritcothailand.com

ติดต่อเพื่อรับบริการออกแบบ และสำรวจสถานที่ฟรี

088 333 2020

088 333 5050

088 333 9090



บริษัทอาริทโก้ (ประเทศไทย) จำกัด 130/3 ซอยเทียนทะเล 24 ถนนบางขุนเทียน-ชายทะเล แขวงท่าข้าม เขตบางขุนเทียน
กรุงเทพมหานคร 10150 โทรศัพท์ (662) 408 0200 โทรสาร (662) 638 8877

Email: sales@aritcothailand.com

Website: www.aritcothailand.com

Facebook: [com/aritcothailand.com](https://www.facebook.com/aritcothailand.com)